

# OEX

# ALTERNATOR

# INNOVATION



# OEX<sup>®</sup>

**ashdown  
ingram**

Visit our website: [quantumpro.com.au](http://quantumpro.com.au) | [quantumpro.co.nz](http://quantumpro.co.nz)  
Copyright © 2016 Ashdown-Ingram ABN 97 097 993 283



# THE GAME CHANGER



**DXA433U's patented design is changing the game for LandCruiser alternators, offering a quick and easy solution to switching regulator type within the alternator.**

Toyota LandCruiser 79, 80 & 100 Series traditionally required one of two identical looking alternators, both with different regulator functions. These alternators were easily confused and, in some cases, incorrect units were installed in vehicles which resulted in vehicle electrical faults.

**Power to the "L" terminal**, utilises an active warning light circuit to drive a glow plug relay / control relay. Whereas **no power to the "L" terminal**, with an inactive

warning light circuit does not drive a glow plug relay / control relay.

In the past, if the wrong alternator was purchased and a fault was showing, an additional regulator was required.

This was not only an added expense, but caused significant delays sourcing regulators, increased the warranty claims on items that were working as they should and required extra labor hours to remove, fit the new regulator and re-fit the alternator.

DXA433U was developed to overcome this challenge. Now with the simple removal of a screw, the alternator can change from the default setting of active to an inactive warning light function.

## Circuit Switching Function:

1. Remove rubber bung.
2. Remove the screw.
3. Replace the rubber bung to cover the opening.



*The active warning light is set as default. To change to inactive, simply remove the screw!*

Note: The engine must be turned off during this process.

**This revolutionary design is simple and effective, saving hours in the workshop and avoiding the possible installation of the incorrect regulator.**

# OEX<sup>®</sup>



# ALTERNATOR

## Part No. DXA433U

Active & Inactive warning light ("L" Terminal) function.

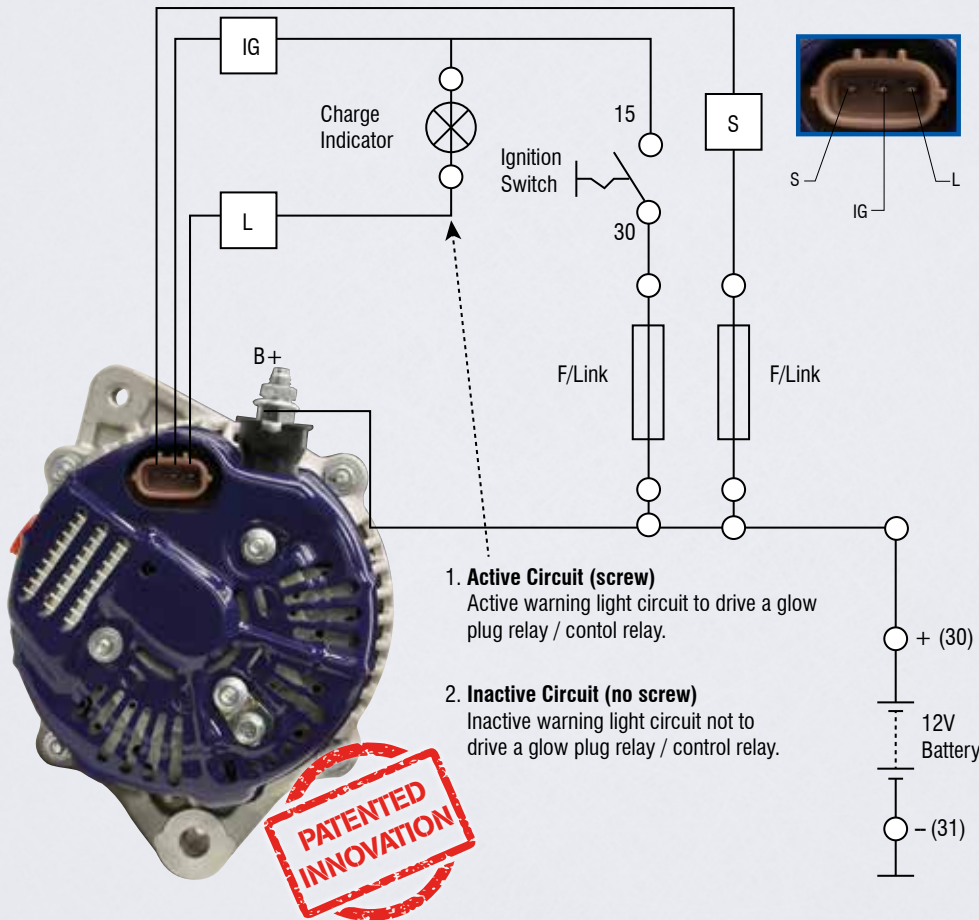
To suit **Toyota LandCruiser HDJ79#** 4.2L 1HD-FTE SOHC 24v turbo diesel inj. 6 cyl 5 spd manual 2 door cab and chassis / pick-up 4WD,

**Toyota LandCruiser HZJ80#** 4.2L 1HZ SOHC 12v diesel direct inj. 6 cyl 5 spd manual 4 door wagon 4WD,

**Toyota LandCruiser HDJ100#** 4.2L 1HD-FT SOHC 24v turbo diesel inj. 6 cyl 5 spd automatic 4 door wagon 4WD.

## WIRING DIAGRAM

## DXA433U



### Specifications

Voltage	12V
Power Rating	110A
Adjusting Hole Diameter	M8
Alternator Mount	Single Leg
Mount CNT to CNT	165mm
Mount Leg Thickness	58mm
Pin Code	IR11
To Suit Make	Denso
Pivot Hole Diameter	10
Pulley Outside Diameter	72mm
Regulator Type	Internal
Shaft Diameter	17mm
Note	Specially designed regulator to work on active and inactive warning light circuits
Replaces	ALT8110 & DXA433



# WITH 55 BRANCHES YOU WON'T HAVE TO VENTURE FAR

**AUSTRALIA** | [ashdown-ingram.com.au](http://ashdown-ingram.com.au)

**QUEENSLAND**

Archerfield	07 3277 8633
Bundaberg	07 4152 1063
Burleigh Heads	07 5522 1377
Caboolture	07 5495 1311
Cairns	07 4031 3816
Emerald	07 4987 4388
Gladstone	07 4972 1677
Ipswich	07 3202 1309
Mackay	07 4952 3172
Molendinar	07 5528 1266
Mt Isa	07 4743 1633
Rockhampton	07 4921 3799
Springwood	07 3208 4244
Sunshine Coast	07 5493 9022
Toowoomba	07 4632 9384
Townsville	07 4728 6222
Virginia	07 3633 0309

**NORTHERN TERRITORY**

Darwin	08 8984 4222
--------	--------------

**VICTORIA**

Bendigo	03 5443 1900
North Geelong	03 5224 2266
Sandown	03 9548 2266
Sunshine West	03 9364 7466
Traralgon	03 5174 9492
Tullamarine	03 8336 6444

**WESTERN AUSTRALIA**

Bunbury	08 9725 6734
Geraldton	08 9921 1338
Kalgoorlie	08 9021 5211
Karratha	08 9183 8117
Kewdale	08 9376 2544
Osborne Park	08 9444 8644
Rockingham	08 9528 1836
Wangara	08 9409 8326
Welshpool	08 9258 7555

**TASMANIA**

Hobart	03 6228 0200
Launceston	03 6344 7042

**SOUTH AUSTRALIA**

Regency Park	08 8347 1637
Thebarton	08 8257 2345
Whyalla	08 8645 5679

**NSW & ACT**

Albury	02 6041 4443
Alexandria	02 9516 3022
Beresfield	02 4028 6665
Canberra	02 6280 6154
Coffs Harbour	02 6652 2932
Dubbo	02 6885 2766
Lidcombe	02 9648 1900
Newcastle	02 4961 3988
Penrith	02 4721 4555
Tamworth	02 6765 3199
Wagga Wagga	02 6925 5266
Wetherill Park	02 9616 0100
Wollongong	02 4271 2611

**NEW ZEALAND** | [ashdown-ingram.co.nz](http://ashdown-ingram.co.nz)

Auckland	0800 445 889
Christchurch	0800 445 889

Hamilton	0800 445 889
Palmerston North	0800 445 889



Visit our website: [quantumpro.com.au](http://quantumpro.com.au) | [quantumpro.co.nz](http://quantumpro.co.nz)

Copyright © 2016 Ashdown-Ingram ABN 97 097 993 283