

# OEX

# HIGH OUTPUT 240 AMP ALTERNATOR INNOVATION



PATENT  
PENDING

# OEX<sup>®</sup>

# THE HIGH OUTPUT GAME CHANGER

**DXA4044U is now available as the 'Big Grunter' to the DXA433U. With a mighty 240A output, there is nothing this high output alternator can't handle.**

The high output game changer proved what it can handle when tested with engine at idle on the field. It involved a fully loaded Thunder winch pulling a 4WD and camper trailer, and needed no additional time to recharge the battery.

This innovative alternator was made to provide 4WD and camping enthusiasts a convenient solution when using add-ons on an outdoor adventure. When accessories are used, such as winches and compressors, they draw a lot of current and require more output, which is more than covered with the unit's 240A output.

This also means commercial operators will not have to worry about excessive battery draining, as this 240A version has the ability to produce a high output for lighting and commercial equipment attached to vehicles.

Other benefits include preventing confusion between two identical looking alternators, where the Toyota LandCruiser 4.2L diesel 79, 80 and 100 Series requires one of the two. This patent pending design offers a quick and easy solution to switching regulator type within the alternator.



## Circuit Switching Function:

1. Remove rubber bung.
2. Remove the screw.
3. Replace the rubber bung to cover the opening.



*The active warning light is set as default. To change to inactive, simply remove the screw!*

Alternator supplied with Alternator to Battery upgrade wiring harness.

Note: The engine must be turned off during this process

**This revolutionary design is simple and effective, saving hours in the workshop and avoiding the possible installation of the incorrect regulator.**

# OEX<sup>®</sup>

# ALTERNATOR



## Part No. DXA4044U

Active & Inactive warning light ('L' Terminal) function.

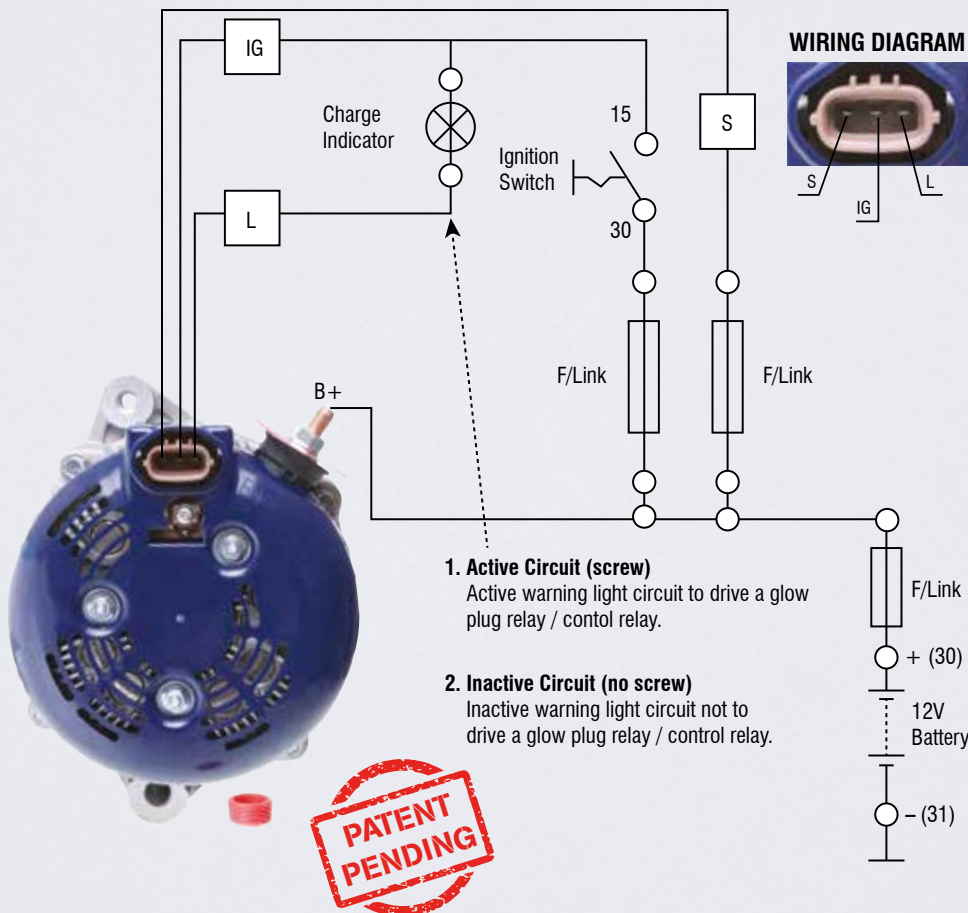
To suit **Toyota LandCruiser HDJ79#** 4.2L 1HD-FTE SOHC 24v turbo diesel inj. 6 cyl 5 spd manual 2 door cab and chassis / pick-up 4WD,

**Toyota LandCruiser HZJ80#** 4.2L 1HZ SOHC 12v diesel direct inj. 6 cyl 5 spd manual 4 door wagon 4WD,

**Toyota LandCruiser HDJ100#** 4.2L 1HD-FT SOHC 24v turbo diesel inj. 6 cyl 5 spd automatic 4 door wagon 4WD.

# WIRING DIAGRAM

# DXA4044U



Specifications	
Voltage	12V
Power Rating	240A
Adjusting Hole Diameter	M8
Alternator Mount	Single Leg
Mount CNT to CNT	165mm
Mount Leg Thickness	58mm
Pin Code	IR11
To Suit Make	Denso
Pivot Hole Diameter	10mm
Pulley Outside Diameter	72mm
Regulator Type	Internal
Shaft Diameter	17mm
Note	Specially designed regulator to work on active and inactive warning light circuits



# WITH 50+ BRANCHES YOU WON'T HAVE TO VENTURE FAR

**AUSTRALIA** | [ashdown-ingram.com.au](http://ashdown-ingram.com.au)

**QUEENSLAND**

Archerfield	07 3277 8633
Bundaberg	07 4152 1063
Burleigh Heads	07 5522 1377
Caboolture	07 5495 1311
Cairns	07 4031 3816
Emerald	07 4987 4388
Gladstone	07 4972 1677
Ipswich	07 3202 1309
Mackay	07 4952 3172
Molendinar	07 5528 1266
Mt Isa	07 4743 1633
Rockhampton	07 4921 3799
Springwood	07 3208 4244
Sunshine Coast	07 5493 9022
Toowoomba	07 4632 9384
Townsville	07 4728 6222
Virginia	07 3633 0309

**NORTHERN TERRITORY**

Darwin	08 8984 4222
--------	--------------

**VICTORIA**

Bendigo	03 5443 1900
North Geelong	03 5224 2266
Sandown	03 9548 2266
Sunshine West	03 9364 7466
Traralgon	03 5174 9492
Tullamarine	03 8336 6444

**WESTERN AUSTRALIA**

Bunbury	08 9725 6734
Geraldton	08 9921 1338
Kalgoorlie	08 9021 5211
Karratha	08 9183 8117
Kewdale	08 9376 2544
Osborne Park	08 9444 8644
Rockingham	08 9528 1836
Wangara	08 9409 8326

**TASMANIA**

Hobart	03 6228 0200
Launceston	03 6344 7042

**SOUTH AUSTRALIA**

Regency Park	08 8347 1637
Thebarton	08 8257 2345
Whyalla	08 8645 5679

**NSW & ACT**

Albury	02 6041 4443
Alexandria	02 9516 3022
Beresfield	02 4028 6665
Canberra	02 6280 6154
Coffs Harbour	02 6652 2932
Dubbo	02 6885 2766
Lidcombe	02 9648 1900
Newcastle	02 4961 3988
Penrith	02 4721 4555
Tamworth	02 6765 3199
Wagga Wagga	02 6925 5266
Wetherill Park	02 9616 0100
Wollongong	02 4271 2611

**NEW ZEALAND** | [ashdown-ingram.co.nz](http://ashdown-ingram.co.nz)

Auckland	0800 445 889	Hamilton	0800 445 889
Christchurch	0800 445 889	Palmerston North	0800 445 889